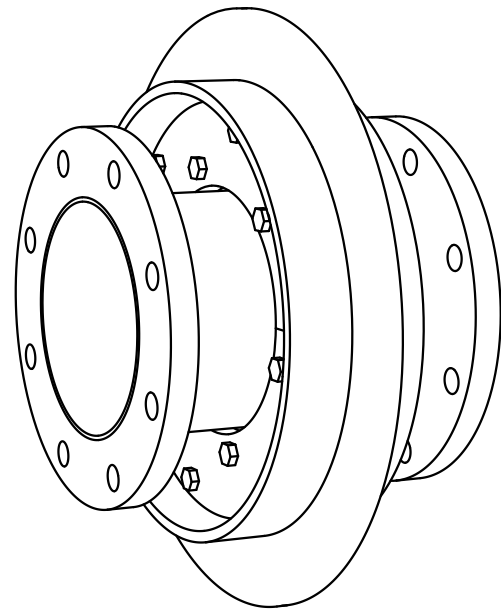
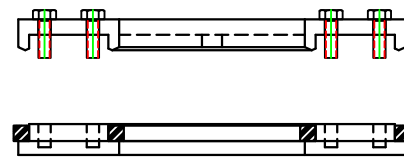
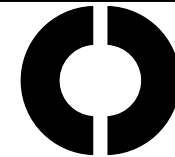
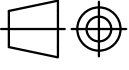


| A | B | C | D | E | F | G |
|-------|------|--------|--------|------|------|------|
| 42.4 | 120 | 168.3 | 268.3 | 8 | 100 | 300 |
| 48.3 | 130 | 168.3 | 268.3 | 8 | 100 | 300 |
| 60.3 | 140 | 168.3 | 268.3 | 8 | 100 | 300 |
| 76.1 | 160 | 219.1 | 319.1 | 8 | 100 | 300 |
| 88.9 | 190 | 219.1 | 319.1 | 8 | 100 | 300 |
| 114.3 | 210 | 273 | 373 | 8 | 100 | 300 |
| 139.7 | 240 | 273 | 373 | 8 | 100 | 300 |
| 168.3 | 265 | 323.8 | 423.8 | 8 | 100 | 300 |
| 219.1 | 320 | 406.4 | 506.4 | 8 | 100 | 300 |
| 273 | 375 | 406.4 | 506.4 | 8 | 100 | 300 |
| 323.8 | 440 | 508 | 608 | 10 | 150 | 350 |
| 335.6 | 490 | 609.6 | 709.6 | 10 | 150 | 350 |
| 406.4 | 540 | 609.6 | 709.6 | 10 | 150 | 350 |
| 457.2 | 595 | 711 | 811 | 10 | 150 | 350 |
| 508 | 645 | 711 | 811 | 10 | 150 | 350 |
| 609.6 | 755 | 813 | 913 | 10 | 150 | 350 |
| 711 | 860 | 914 | 1014 | 10 | 150 | 350 |
| 813 | 975 | 1016 | 1116 | 10 | 150 | 350 |
| 914 | 1075 | 1117.6 | 1217.6 | 10 | 150 | 350 |
| 1016 | 1175 | 1219.2 | 1319.2 | 10 | 150 | 350 |
| <MM> | <MM> | <MM> | <MM> | <MM> | <MM> | <MM> |



SECTION A-A



| | | | | |
|--|---|-------------------------------------|-----------------|--|
| General tolerances used for manufacturing | Sheet N° 001 | Format : A2 | Material: Steel | TotWeight N/A |
|  Hell Sea | Title HELL SEA STANDARD VERSION ASSEMBLY - STEEL | | | Projection Method  |
| | Restricted due to Information Drawing | Drawing number HSST-26112020-001 | | REV 1 |