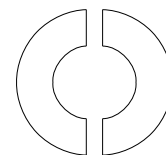
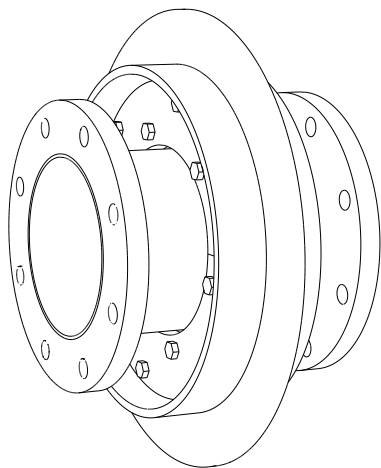


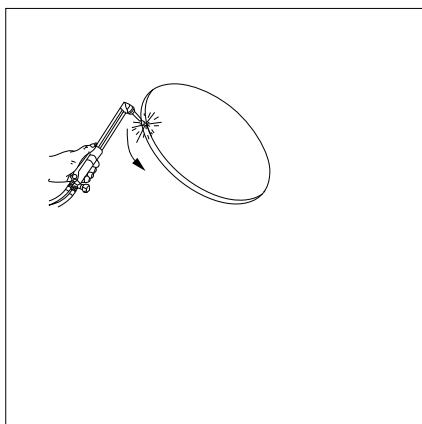
**Safety Information**

Hell sea recommends that all installations are performed following this instructions. Any different action could manumit the functioning of the system and consequently lose the product certifications

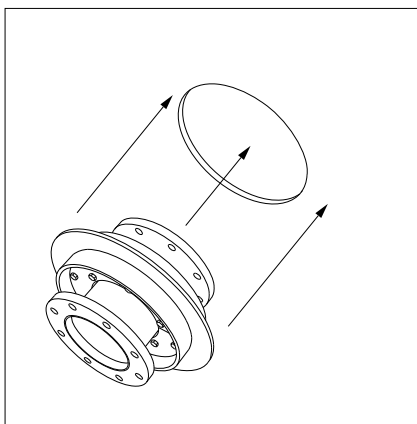


**Hell Sea®**

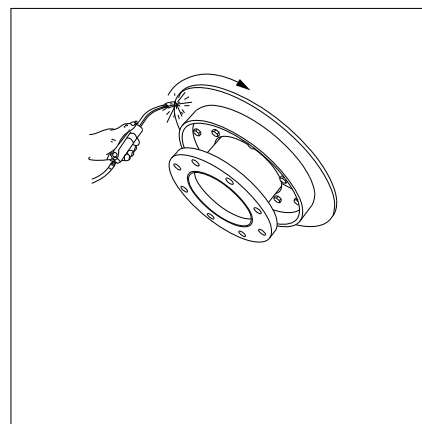
**Installation instructions  
Hell Sea system welded**



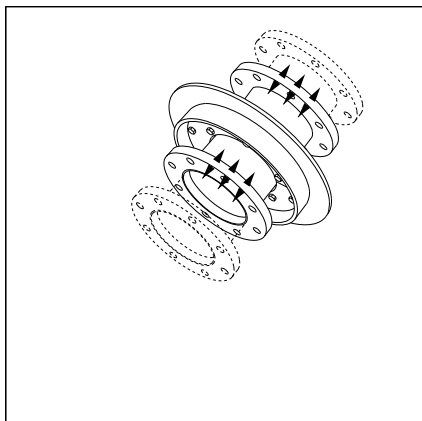
Make a hole according to the table



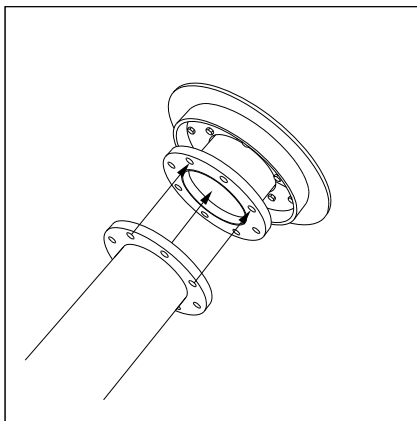
Insert the Hell Sea system in the hole



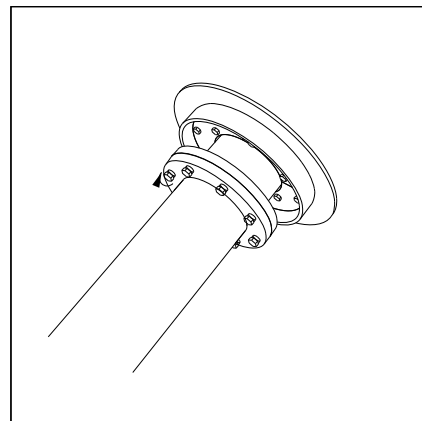
Weld the external flange to the structure



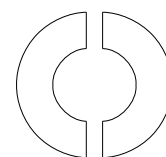
Our pipe section can slide (pushing or pulling it) to reach required position



Connect the pipe line to Hell Sea's flanges



Insert and tighten the bolts to complete the installation



**Hell Sea®**

Hell Sea

Email: [info@hellsea.ch](mailto:info@hellsea.ch)

Site: <https://www.hellsea.ch/>